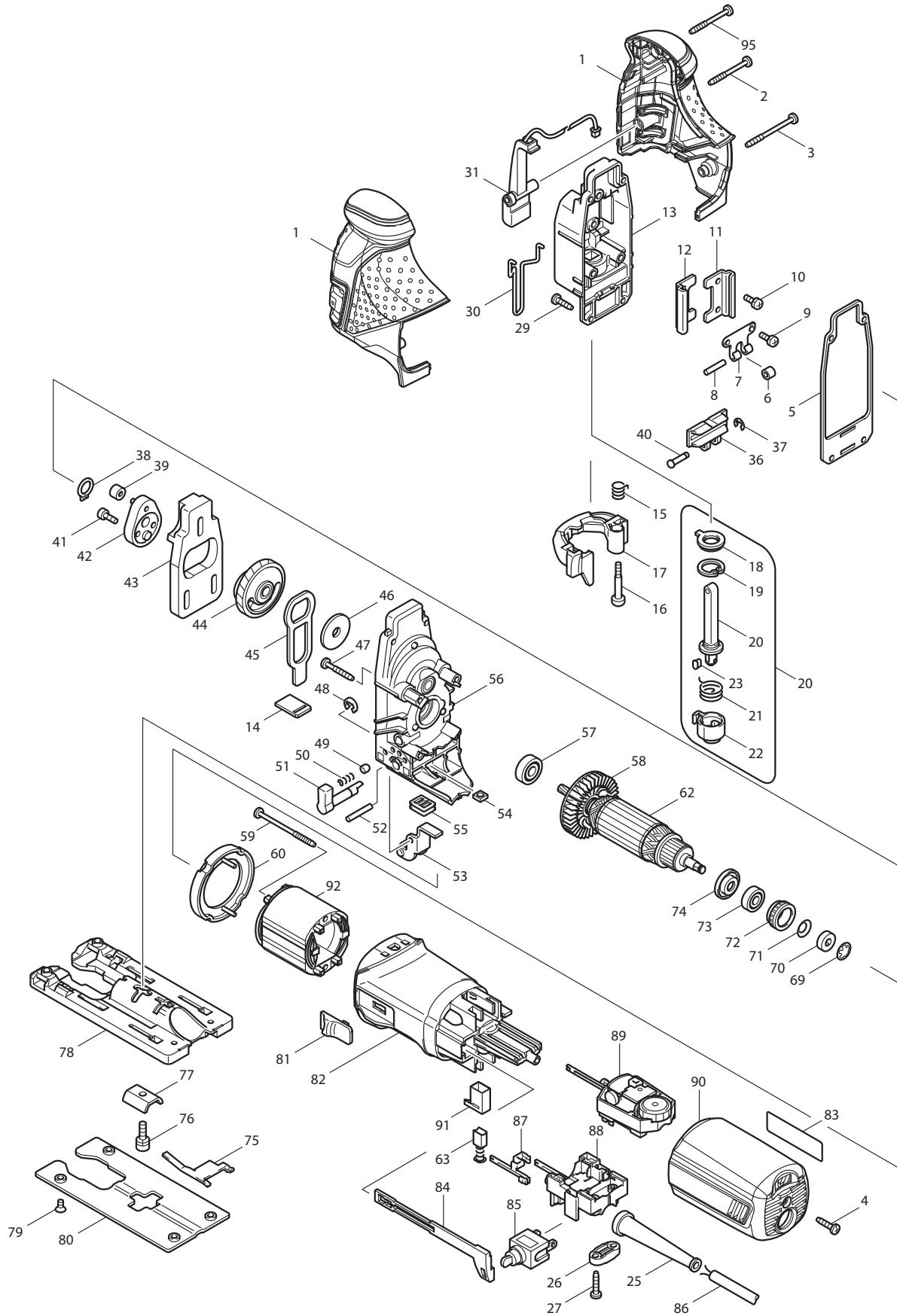




09 - 2010

4351FCT

BARREL GRIP JIG SAW W/LIGHT



Item No	Type	Ref	Part No	Description	Qty	Unit
1			188290-6	HEAD COVER SET	1	SET
2			266048-4	TAPPING SCREW 4X40	1	PC.
3			266091-3	TAPPING SCREW 4X50	1	PC.
4			265995-6	TAPPING SCREW 4X18	1	PC.
5			442138-9	PACKING	1	PC.
6			214031-5	PLANE BEARING 4	1	PC.
7			232207-2	LEAF SPRING	1	PC.
8			256117-9	PIN 4	1	PC.
9			911111-5	PAN HEAD SCREW M4X10	2	PC.
10			911111-5	PAN HEAD SCREW M4X10	2	PC.
11			345240-6	LINEAR GUIDE	1	PC.
12			345240-6	LINEAR GUIDE	1	PC.
13			153338-3	GEAR HOUSING COVER COM	1	PC.
		INC.	253313-0	THIN WASHER 14	1	PC.
		INC.	257250-0	RING 20	1	PC.
		INC.	421815-6	DUST SEAL 8	1	PC.
14			417839-8	SEAL PLATE	1	PC.
15			231659-4	TORSION SPRING 6	1	PC.
16			265026-1	+ PAN HEAD SCREW M4	1	PC.
17			419820-5	TOOL OPENER	1	PC.
18			421817-2	DUST COVER	1	PC.
19			962068-3	RETAINING RING R-18	1	PC.
20			135060-4	ROD ASSY	1	PC.
		INC.	165326-8	ROD	1	PC.
21			231660-9	TORSION SPRING 15	1	PC.
22			310136-0	BLADE HOLDER	1	PC.
23			310135-2	PUSH PIN	1	PC.
25			682559-5	CORD GUARD 8	1	PC.
26			687063-9	STRAIN RELIEF	1	PC.
27			265995-6	TAPPING SCREW 4X18	2	PC.
29			266034-5	TAPPING SCREW CT 4X16	4	PC.
30			324233-6	SAFETY WIRE	1	PC.
31			631470-8	LED CIRCUIT	1	PC.
36			310134-4	SLIDER	1	PC.
37			961017-7	STOP RING E-3	1	PC.
38			961004-6	RETAINING RING S-8	1	PC.
39			212014-9	NEEDLE BEARING 407	1	PC.
40			268090-1	PIN 4	1	PC.
41			265353-6	HEX. SOCKET HEAD BOLT M4X12	2	PC.
42			153336-7	CRANK COMPLETE	1	PC.
43			313108-4	BALANCE PLATE	1	PC.
44			153335-9	GEAR COM	1	PC.
		INC.	212043-2	NEEDLE BEARING 810	2	PC.
45			345235-9	PUSH PLATE	1	PC.
46			253877-4	FLAT WASHER 8	1	PC.
47			266050-7	TAPPING SCREW 4X30	4	PC.
48			961018-5	STOP RING E-5	1	PC.
49			286032-3	CAP 5	1	PC.
50			233139-6	COMPRESSION SPRING 3	1	PC.
51			272244-4	LEVER 17	1	PC.
52			268063-4	PIN 4	1	PC.
53			153334-1	RETAINER COMPLETE	1	PC.
54			252171-1	SQUARE NUT M5-8	1	PC.
55			421816-4	DUST SEAL	1	PC.

Item No	Type	Ref	Part No	Description	Qty	Unit
56			153337-5	GEAR HOUSING COMPLETE	1	PC.
57			210005-4	BALL BEARING 608DDW	1	PC.
58			241881-5	FAN 52	1	PC.
59			266052-3	TAPPING SCREW 4X60	2	PC.
60			417838-0	BAFFLE PLATE	1	PC.
62			517396-7	ARMATURE ASSY	1	PC.
63	1		191927-6	CARBON BRUSH CB-407 2PC/SET, W/O ORIGIN - N/L/A	1	SET
	2		195007-0	CARBON BRUSH CB-407 2PC/SET, W/ ORIGIN	1	SET
70			688117-5	MAGNET SLEEVE	1	PC.
71			267756-0	WAVE WASHER 6	1	PC.
72			421494-0	RUBBER RING 19	1	PC.
73			211021-9	BALL BEARING 607LLB	1	PC.
74			681636-0	INSULATION WASHER	1	PC.
75			232208-0	LEAF SPRING	1	PC.
76			922226-3	HEX. SOCKET HEAD BOLT M5X18	1	PC.
77			345237-5	CRANK PLATE	1	PC.
78			317565-8	BASE	1	PC.
79			912107-9	COUNTERSUNK HEAD SCREW M4X8	4	PC.
80			345238-3	BASE PLATE	1	PC.
81			417840-3	SWITCH LEVER	1	PC.
82	1		158349-3	MOTOR HOUSING COM	1	PC.
	2		141945-4	MOTOR HOUSING COM	1	PC.
	2	INC.	800Y08-2	CAUTION LABEL (Added)	1	PC.
84			417841-1	SWITCH ROD	1	PC.
85			651428-1	SWITCH STL115ADF-CD	1	PC.
86			664891-9	CORD W/PLUG 2P-18-2.5M, SJ	1	PC.
87			654223-8	TERMINAL F	2	PC.
88			638110-9	SWITCH BLOCK UNIT	1	PC.
89			631464-3	CONTROLLER	1	PC.
90			419896-2	REAR COVER	1	PC.
91			643975-6	BRUSH HOLDER	2	PC.
92			633516-6	FIELD 115V	1	PC.
95			266048-4	TAPPING SCREW 4X40	1	PC.
D01			652037-9	PAN HEAD SCREW M3.5X8	2	PC.
D02			654233-5	INSULATED TERMINAL FT1.25M3TOR	2	PC.

ACCESSORIES

A01			415524-7	ANTI-SPLINTERING DEVICE	1	PC.
A02			417852-6	COVER PLATE	1	PC.
A03			792724-9	JIG SAW BLADE, 2PC EACH of B-10, BR-13, B-22	1	SET
			792473-8	JIG SAW BLADE B-22, 5PC/SET	1	SET
			792529-7	JIG SAW BLADE B-10, 5PC/SET	1	SET
			792729-9	JIG SAW BLADE BR-13, 5PC/SET	1	SET
A04			783202-0	HEX. WRENCH 4	1	PC.
A05			824809-4	PLASTIC CARRYING CASE	1	PC.
A06			193517-1	GUIDE RAIL ADAPTOR	1	PC.
A07			193516-3	GUIDE RULE SET	1	PC.
		INC.	271601-3	KNOB 20	1	PC.
		INC.	323802-0	GUIDE PIN	1	PC.
		INC.	922207-7	HEX. SOCKET HEAD BOLT M5X10	1	PC.
A09			P-80020	DUST NOZZLE	1	PC.
A10			194368-5	GUIDE RAIL 1400MM	1	PC.
			194367-7	GUIDE RAIL 3000MM	1	PC.